

NIMET

WHERE
INNOVATION
LIVES

NI-W / WV

Cf53, C55E, C45E
Ø4 - 100 mm / Ø1/4" - 4"

NI-WRB / WRA

X46Cr13 / W1.4034, X90CrMoV18 / W1.4112
Ø4 - 50 mm / Ø1/4" - 2"

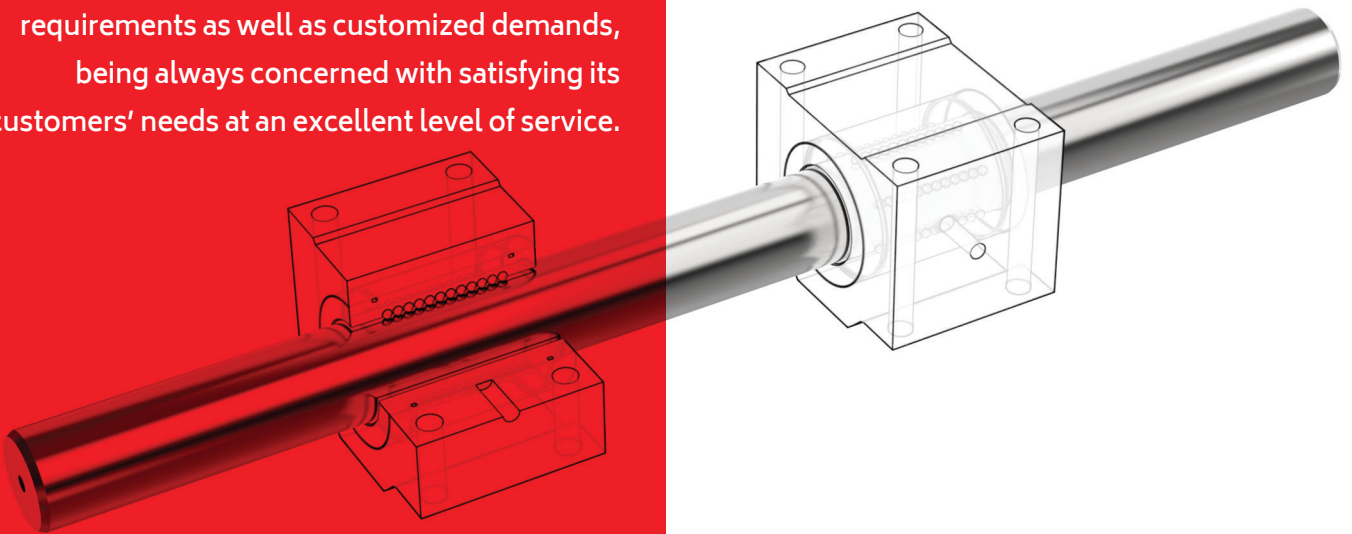
NI-WH / WHV

C60E
OD: Ø12 - 80 mm / Ø5/8" - 2"

NIMET

LINEAR SHAFTS
for linear motion systems

The state of the art technology enables NIMET to respond to both standard commodity requirements as well as customized demands, being always concerned with satisfying its customers' needs at an excellent level of service.



TEAM / AGILITY / PARTNERSHIP / TECHNOLOGY / INNOVATION / PERFORMANCE

NIMET

Targului Street, 103 / 137121, Lazuri (DB) / Romania

www.nimet.ro